

## DS-2CE16D0T-WL5 HD 1080p White Supplement Light Bullet Camera



### Key Features

- 2 megapixel high performance CMOS
- HD analog output, up to 1080p resolution
- White supplement light (up to 50 m distance)
- IP66
- Up the Coax (Hikvision-C)



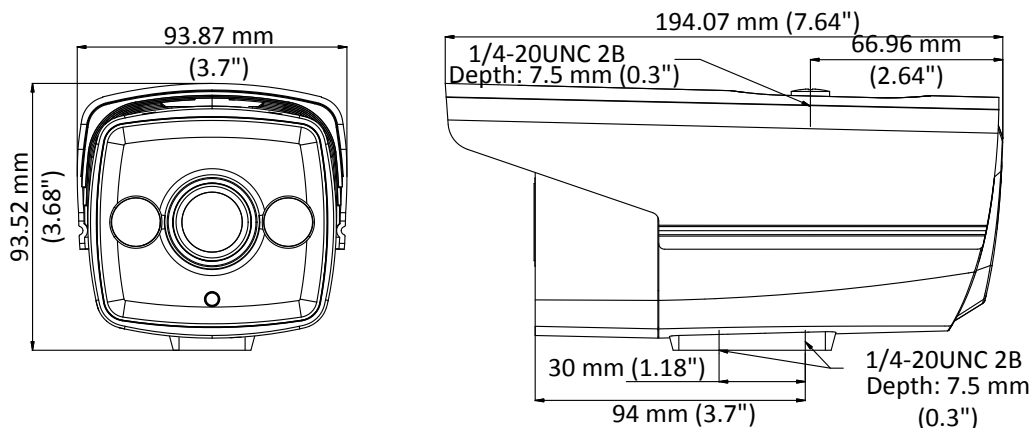
## Specifications

<b>Camera</b>	
Image Sensor	2 MP CMOS image sensor
Signal System	PAL/NTSC
Effective Pixels	1920 (H) × 1080 (V)
Min. illumination	0.01 Lux@(F1.2, AGC ON)
Shutter Time	PAL: 1/25 s to 1/50, 000 s NTSC: 1/30 s to 1/50, 000 s
Lens	3.6 mm ( 6 mm optional)
	Field of view: 82° (3.6 mm), 54° (6 mm)
Lens Mount	M12
Day & Night	Color
Angle Adjustment	Pan: 0° to 360°, tilt: 0° to 90°
Synchronization	Internal synchronization
Video Frame Rate	1080p@25fps 1080p@30fps
HD Video Output	1 analog HD output
S/N Ratio	> 62 dB
<b>General</b>	
Operating Conditions	-40 °C to 60 °C (-40 °F to 140 °F), humidity: 90% or less (non-condensation)
Power Supply	12 V DC ±10%
Power Consumption	Max. 1 W (white supplement light off) Max. 4.5 W ( white supplement light on )
Protection Level	IP66
White Light Distance	Up to 50 m
Dimensions	194.07 mm × 93.52 mm × 93.87 mm (7.64" × 3.68" × 3.7" )
Weight	Approx. 450 g (0.99 lb.)

## Order Model

DS-2CE16D0T-WL5

## Dimensions



## Accessories



**DS-1298ZJ (Standard)**  
Wall Mounting Bracket

**DS-1292ZJ (Optional)**  
Wall Mounting Bracket

**DS-1296ZJ (Optional)**  
Wall Mounting Bracket

**DS-1299ZJ (Optional)**  
Pendant Mounting Bracket

Distributed by



## HIKVISION®

**Headquarters**  
 No.555 Qianmo Road, Binjiang District,  
 Hangzhou 310051, China  
 T +86-571-8807-5998  
 overseasbusiness@hikvision.com

**Hikvision USA**  
 T +1-909-895-0400  
 sales.usa@hikvision.com

**Hikvision Europe**  
 T +31-23-55-42-770  
 info.eu@hikvision.com

**Hikvision Middle East**  
 T +971-4-8816086  
 salesme@hikvision.com

**Hikvision Russia**  
 T +7-495-669-67-99  
 saleru@hikvision.com

**Hikvision India**  
 T +91-22-28469900  
 sales@pramahikvision.com

**Hikvision Italy**  
 T +39-0438-6902  
 info.it@hikvision.com

**Hikvision France**  
 T +33(0)1-85-330-450  
 info.fr@hikvision.com

**Hikvision Spain**  
 T +34-91-737-16-55  
 info.es@hikvision.com

**Hikvision Poland**  
 T +48-22-460-01-50  
 poland@hikvision.com

**Hikvision UK**  
 T +01628-902140  
 support.uk@hikvision.com

**Hikvision Singapore**  
 T +65-6684-4718  
 sg@hikvision.com

**Hikvision Oceania**  
 T +61-2-8599-4233  
 salesau@hikvision.com

**Hikvision Canada**  
 T +1-909-895-0400  
 sales.usa@hikvision.com

**Hikvision Korea**  
 T +82-31-731-8841  
 sales.korea@hikvision.com

**Hikvision Brazil**  
 T +55 11 3318-0050  
 Latam.support@hikvision.com

**Hikvision Africa**  
 T +27 (10) 0351172  
 sale.africa@hikvision.com

**Hikvision Hong Kong**  
 T +852-2151-1761